



Installation Guide

Scyon™ Secura™
Exterior Flooring

EXTERIORS

Australia June 2020

Make sure your information is up to date.

When specifying or installing James Hardie™ products, ensure you have the current installation guide. If in doubt, or you need more information, visit www.jameshardie.com.au or Ask James Hardie™ on 13 11 03.

IMPORTANT NOTES

- Scyon™ Secura™ Exterior flooring is suitable for tiled internal and external residential flooring applications only. The maximum loading capacities are outlined in the loading section of this guide.
- Failure to install, finish or maintain this product in accordance with applicable building codes, regulations, standards and this guide may lead to personal injury, affect system performance, violate local building codes, and void James Hardie's product warranty.
- Make sure your information is up to date. When specifying or installing James Hardie® products, ensure that you have the current technical information and guides. If in doubt, or you need more information, visit www.jameshardie.com.au or Ask James Hardie™ on 13 11 03.
- Only use recommended water based waterproofing systems tested and warranted by the waterproofing companies stated in this install guide on page 4 for Scyon™ Secura™ Exterior flooring.

SCYON™ SECURA™ EXTERIOR FLOORING

PRODUCT	DESCRIPTION																					
	<p>Scyon™ Secura™ Exterior flooring</p> <p>Structural flooring product for internal and external residential flooring applications. Reinforced with mesh on underside.</p> <ul style="list-style-type: none"> 19mm thick board has light blue edges. 22mm thick board has dark blue edges. <p>Long edges have a tongue and groove feature for easy jointing.</p>																					
	<p>SIZE MM (NOMINAL)</p> <table border="1"> <thead> <tr> <th>WIDTH</th> <th>LENGTH</th> <th>THICKNESS</th> <th>MAX SUPPORTS (MM)</th> <th>MASS (KG)</th> <th>PART NO.</th> <th>UNITS/PACK</th> </tr> </thead> <tbody> <tr> <td>600</td> <td>2700</td> <td>19</td> <td>450</td> <td>40</td> <td>404050</td> <td>20</td> </tr> <tr> <td>600</td> <td>2400</td> <td>22</td> <td>600</td> <td>41</td> <td>404689</td> <td>20</td> </tr> </tbody> </table>	WIDTH	LENGTH	THICKNESS	MAX SUPPORTS (MM)	MASS (KG)	PART NO.	UNITS/PACK	600	2700	19	450	40	404050	20	600	2400	22	600	41	404689	20
	WIDTH	LENGTH	THICKNESS	MAX SUPPORTS (MM)	MASS (KG)	PART NO.	UNITS/PACK															
600	2700	19	450	40	404050	20																
600	2400	22	600	41	404689	20																
<p>Reinforcing mesh</p> <p>19 or 22mm</p>																						

NOTES

- All dimensions and masses provided are approximate only and subject to manufacturing tolerances. Masses are based on equilibrium moisture content of product.

PRODUCT / ACCESSORIES / TOOLS

SUPPLIED BY JAMES HARDIE			
ACCESSORIES	DESCRIPTION	ACCESSORIES	DESCRIPTION
	<p>HardieBlade™ Saw Blade. 185mm diameter</p> <p>A poly-diamond blade for fast and clean cutting of James Hardie fibre cement. 1 each. Part No. 300660</p>		<p>James Hardie™ Joint Sealant. 300m cartridge and 600ml Sausage</p> <p>A general purpose, paintable, exterior grade polyurethane joint sealant. Used for sealing of all sheet joints and can be used to adhere sheets to framing.</p>
	<p>HardieDrive™ Screw 41mm long.</p> <p>A class 3 self-tapping wing-tipped screw for fastening to 0.5mm to 1.6mm BMT light gauge steel frames. 1000 per box. Part No. 305984</p>		300ml tube 20 per box. 1 each. Part No. 305534
	<p>HardieDrive™ Collated Screw 41mm long.</p> <p>A class 3 self-tapping wing-tipped screw for fastening to 0.5mm to 1.6mm BMT light gauge steel frames. Suitable for use in most auto feed screw guns. 1000 per box. Part No. 305982</p>		600ml sausage 20 per box. 1 each. Part No. 305672

NOT SUPPLIED BY JAMES HARDIE

James Hardie recommends the following products for use in conjunction with its Scyon™ Secura™ Exterior flooring. James Hardie does not supply these products and does not provide a warranty for their use. Please contact the product manufacturer for information on their warranties and further information on their products.

ACCESSORIES	DESCRIPTION	ACCESSORIES	DESCRIPTION
	<p>Nails</p> <ul style="list-style-type: none"> 2.8 x 50mm corrosion resistant fibre cement nails. 50mm corrosion resistant D Head gun nails. 		<p>Gun Nailer</p> <p>Suitable pneumatic or coil gun nailer.</p>
	<p>Screws</p> <p>Nº 8 x 40mm Corrosion resistant self embedding head for screwing to timber framing.</p>		<p>Cordless Drill</p> <p>Recommended tool for screw fixing the sheets to steel and timber framing.</p>
	<p>QuikDrive Collated Screw</p> <p>42mm long Class 3 screw for fixing to 0.8 - 1.6mm BMT steel framing. Part No. CBSDG158SA</p>		<p>Construction Adhesive</p> <p>Suitable construction adhesive for gluing sheets to floor frame. James Hardie joint sealant may be used.</p>
	<p>Spatula</p> <p>For spreading adhesive over all sheet joints and fasteners.</p>		<p>M class or higher vacuum</p> <p>Required to reduce the exposure to respirable dust and crystalline silica.</p>
	<p>Dust-reducing saw with M class or higher vacuum extraction</p> <p>Dust reducing saw with a HardieBlade™ saw blade. Makita 5057KB / Hitachi C7YA.</p>		<p>Foam Backing Rod</p> <p>A 10mm diameter backing rod is to be fixed into all 5mm butt/movement joints.</p>
	<p>Epoxy Primer</p> <p>Use a suitable epoxy primer to seal all cut sheet edges and small damaged sheet areas that may have been damaged. eg Watty® Kill Rust Heavy Duty Primer or equivalent.</p>		<p>Site Applied Primer</p> <p>A single coat of Ardex WPM 300 or equivalent is recommended over installed Secura™ Secura™ Exterior flooring sheets in a water resistant deck. This is not considered a waterproof deck.</p>

WARNING - DO NOT BREATHE DUST AND CUT ONLY IN WELL VENTILATED AREA

James Hardie products contain sand, a source of respirable crystalline silica. **May cause cancer if dust from product is inhaled. Causes damage to lungs and respiratory system through prolonged or repeated inhalation of dust from product.**

Intact fibre cement products are not expected to result in any adverse toxic effects. The hazard associated with fibre cement arises from the respirable crystalline silica present in dust generated by activities such as cutting, rebating, drilling, routing, sawing, crushing, or otherwise abrading fibre cement, and when cleaning up, disposing of or moving dust.

When doing any of these activities in a manner that generates dust, follow James Hardie instructions and best practices to reduce or limit the release of dust, warn others in the area and consider rotating personnel across the cutting task to further limit respirable silica exposure.

If using a dust mask or respirator, use an AS/NZS1716 P1 filter and refer to Australian/New Zealand Standard 1715:2009 Selection, Use and Maintenance of Respiratory Protective Equipment for more extensive guidance and more options for selecting respirators for workplaces. For further information, refer to our installation instructions and Safety Data Sheets available at www.jameshardie.com.au. FAILURE TO ADHERE TO OUR WARNINGS, SAFETY DATA SHEETS, AND INSTALLATION INSTRUCTIONS MAY LEAD TO SERIOUS PERSONAL INJURY OR DEATH.

JAMES HARDIE RECOMMENDED SAFE WORKING PRACTICES

CUTTING OUTDOORS

- Position cutting station so wind will blow dust away from the user or others in working area.
- Warn others in the area to avoid dust.
- Consider rotating personnel across cutting tasks to further limit respirable silica exposures.
- Use one of the following methods based on the required cutting rate:
 - Best ▪ Villaboard™ knife ▪ Hand guillotine ▪ Fibreshear
 - Better ▪ Position the cutting station in a well-ventilated area. Use a dust reducing circular saw equipped with HardieBlade™ Saw Blade or comparable fibre cement blade and well maintained M-class vacuum or higher with appropriate filter for capturing fine (respirable) dust. Wear a properly-fitted, approved dust mask or respirator (minimum P1).

CUTTING INDOORS

- Cut only using Villaboard™ knife, hand guillotine or fibreshears (manual, electric or pneumatic).
- Position cutting station in a well-ventilated area.

DRILLING/OTHER MACHINING

When drilling or machining you should always wear a P1 dust mask and warn others in the immediate area.

IMPORTANT NOTES

- For maximum protection (lowest respirable dust production) James Hardie recommends always using best practice cutting methods where feasible.
- NEVER use a power saw indoors or in a poorly ventilated area.
- ALWAYS use a dust reducing circular saw equipped with a sawblade specifically designed to minimise dust creation when cutting fibre cement - preferably a sawblade that carries the HardieBlade™ logo or one with at least equivalent performance - connected to a M class or higher vacuum.
- NEVER dry sweep - Use wet suppression, or an M class vacuum or higher with appropriate filter.
- NEVER use grinders.
- ALWAYS follow tool manufacturers' safety recommendations.
- ALWAYS wear a properly fitted, approved dust mask, P1 or higher

DUST MASKS AND RESPIRATORS

As a minimum, an AS/NZS1716 P1 respirator must be used when doing any activity that may create dust. For more extensive guidance and options for selecting respirators for workplaces please refer to Australian/New Zealand Standard 1715:2009 "Selection, Use and Maintenance of Respiratory Protective Equipment". P1 respirators should be used in conjunction with the above cutting practices to minimise dust exposure. For further information, refer to Safety Data Sheet (SDS) available at www.jameshardie.com.au. If concern still exists about exposure levels or you do not comply with the above practices, you should always consult a qualified industrial hygienist or contact James Hardie for further information.

STORAGE AND HANDLING

To avoid damage, all James Hardie™ building products should be stored with edges and corners of the product protected from chipping. James Hardie™ building products must be installed in a dry state and protected from weather during transport and storage. The product must be laid flat under cover on a smooth level surface clear of the ground to avoid exposure to water, moisture, etc.

SCOPE

This Installation Guide covers the use of Scyon™ Secura™ Exterior flooring sheets in a tiled residential deck application. It does not contain all information relevant for constructing a deck.

Constructing a deck using Scyon™ Secura™ Exterior flooring involves the installation of two components in addition to the underlying frame:

COMPONENT 1: Installation of Sheets

Component 1 is the Scyon™ Secura™ Exterior flooring sheet. This sheet is installed over durable timber or corrosion resistant light gauge steel frames in a squared or staggered pattern, see Table 2 and AS 4654.2.

COMPONENT 2: Waterproofing and Finishes (Supplied by third party)

Component 2 is a third party supplied and warranted water based waterproofing and tiling system for use over installed Scyon™ Secura™ Exterior flooring. Companies offering such a system at the time of writing are mentioned on page 4. One of the key purposes of component 2 is to keep the deck water tight.

To obtain the third party warranty, the entire waterproofing system must be installed from the same manufacturer. All components must be fully compatible with one another.

There are two types of decks:

1. Water resistant decks, and
2. Waterproof decks with a:
 - a) Liquid applied membrane; or
 - b) Flexible sheet membrane and mortar bed

The following table outlines the main differences between a water resistant and waterproofed deck.

REQUIREMENT	WATERPROOF DECK	WATER RESISTANT DECK
Floor Waterproofing to meet AS4654.1*	✓	
External Floor over outdoor area	✓	✓
External Floor over habitable area or area that needs to be water tight.	✓	

* and installed to manufacturer's specifications.

NOTE: Even if you do not require a waterproof deck, it is recommended that the deck be made as water tight as possible (ie that water penetrations be minimised) as it can lead to damage to the frame such as timber dry rot.

For more information on suitable waterproofing and finishes including installation instructions and warranty on Scyon™ Secura™ Exterior flooring, refer to the waterproofing companies referenced on page 4.

DESIGN Compliance

All design and construction must comply with the appropriate requirements of the current National Construction Code (NCC) and other applicable regulations and standards current at the time of construction.

Responsibility

The specifier or other party responsible for the project must ensure that the details in this specification are appropriate for the intended application and that additional detailing is performed for specific design or any areas that fall outside the scope of this specification.

James Hardie is not a waterproofing expert and therefore the specifier is responsible for carrying out the necessary design and detailing to ensure the correct waterproofing and finish are in accordance with waterproofing manufacturer's standard warranted specifications and relevant codes and regulations.

Loading

Scyon™ Secura™ Exterior flooring sheets are structurally designed to withstand the domestic and residential activities for self-contained dwellings (Category A1) of Table 3.1 of AS/NZS 1170.1 - 'Structural design actions - Permanent, imposed and other actions' of 1.8kN concentrated load and a UDL (Uniformly Distributed Load) capacity of 2kPa at the floor joist spacing, outlined in Table 1. For greater loadings and commercial decking applications, refer to the James Hardie technical team for specific advice on 13 11 03.

Fastener Durability

Fasteners must have the appropriate level of durability required for the intended project. This is of particular importance in coastal areas and areas subject to salt spray and other corrosive environments.

Fasteners must be fully compatible with all other materials that they are in contact with to ensure the durability and integrity of the assembly.

James Hardie recommends a minimum Class 3 fastener for all decks. Contact fastener manufacturers for more information.

FRAMING General

Floor joists must be 45mm wide.

All sheet square edges which includes movement joints, must be continuously supported by framing.

Furthermore, adequate ventilation in the floorspace is recommended.

TABLE 1. FLOOR JOIST SPACING

SHEET THICKNESS	MAXIMUM JOIST CENTRE (MM)
19mm	450
22mm	600

Timber Framing

Use of timber framing must be in accordance with AS 1684 - 'Residential timber-framed construction', treated dry kiln timber or durable hardwood, the building code of Australia and the framing manufacturer's specifications.

NOTE: To help protect against moisture ingress and rot, always prime the end grain of timber members, together with surfaces which are permanently concealed and may be in contact with other building materials.

Steel Framing

Use of steel framing must be in accordance with NASH standard for residential and low rise steel framing Part 1 and the framing manufacturer's specifications. Framing members must be in the range 0.75mm to 1.9mm BMT (base metal thickness). The steel framing must have the appropriate level of durability required to prevent corrosion.

Step Down

There must be a step down (at least 50mm but preferably 150mm) from the door sill level to the finished surface of the deck to adequately weatherproof the entry door, particularly if it is subject to rain and wind. Refer to relevant building regulations and codes which may specify a larger step down.

Fall

Decks must have a fall to facilitate drainage. Decks must have a fall of at least 1 in 100 away from the building. Floor joists must run in the direction of the fall.

Do not provide fall by packing sheets. The fall can be created by trimming or sloping the joists.

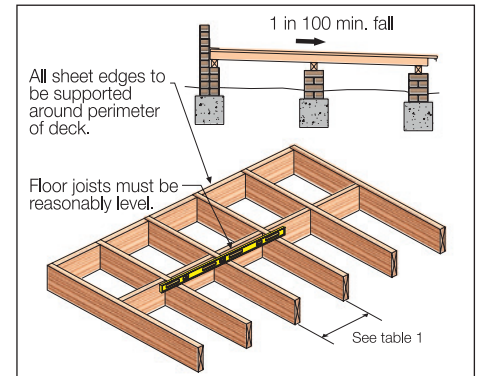


FIGURE 1 FRAME PREPARATION

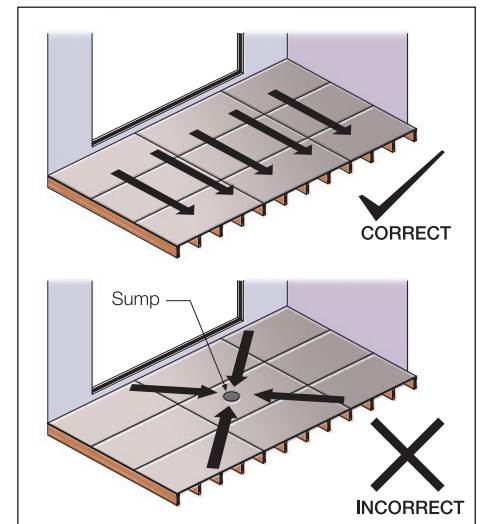


FIGURE 2 DRAINAGE

Balustrade

The balustrade upright supports must be fixed to the structural frame and not to the Scyon™ Secura™ Exterior flooring. The balustrade and its supports must not compromise the waterproofing and durability of the deck. The specifier is responsible for any water issues that could occur due to the penetration of the balustrade uprights including fixings, flashing, waterproofing and sheet support.

Tolerances

In order to achieve an acceptable finish, it is imperative that framing is straight and true. A suggested tolerance is 3-4mm over 3 meters in all directions.

COMPONENT 1: Installation of Scyon™ Secura™ Exterior flooring sheets

SHEET LAYOUT & FASTENERS

All square sheet edges including movement joints, must be fully supported by framing.

Using the sheet layout selection table below, the specifier can select the recommended sheet layout based on the deck type and finished system:

TABLE 2. SHEET LAYOUT SELECTION TABLE

DECK TYPE	SHEET LAYOUT	FINISH	SHEET CONTROL JOINTS
Water Resistant	Squared	Prime and Tile Direct, see page 4	2.7m In direction of sheet only, see Figure 12. (At end of sheet)
Waterproofed	Squared	Option 1: Waterproof system and tiling direct, Page 4.	4.1m In direction of sheet only, see Figure 18. (At end of sheet)
Waterproofed	Staggered	Option 2: Waterproof system, slip sheet, reinforced mortar bed and tile, Page 5	

TABLE 3. FASTENER SELECTION

PRODUCT	TIMBER JOISTS	STEEL JOISTS 0.75 - 1.6MM BMT	STEEL JOISTS 1.7 TO 1.9MM BMT
2.8 x 50mm FC nails	✓		
50mm D Head gun nails	✓		
No.8 x 40mm CSK self drilling screw	✓		✓*
40mm Hardie-Drive screw		✓	
40mm QuikDrive screw		✓	

NOTE: All fasteners must have a minimum Class 3 finish. * Refer to manufacturer's specifications for suitability and correct installation including minimum and maximum steel joist thickness.

INSTALLATION STEPS

NOTES:

- The sheets are installed with the mesh facing down.
- You must ensure that the product is of acceptable quality prior to installation.

The following illustrations show how to install the Scyon™ Secura™ Exterior flooring sheets in a squared pattern. When installing the sheets in a staggered pattern the sheet offset must be taken into consideration.

STEP 1: Determine sheet layout and expansion joint placement, see sheet layout section.

STEP 2: Cut desired sheets and seal cut and exposed sheet edges with two coats of Watty! Killrust Heavy Duty Primer or equivalent.

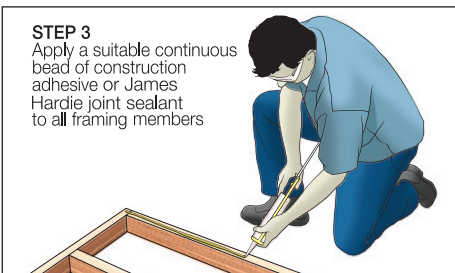


FIGURE 3 CONSTRUCTION ADHESIVE

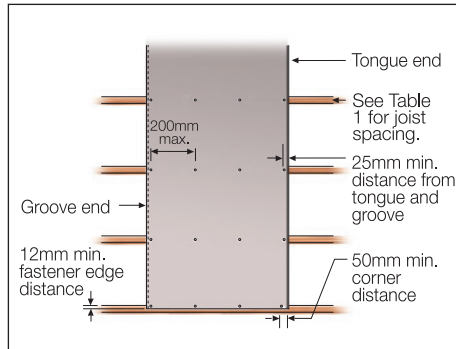


FIGURE 4 FASTENER LAYOUT

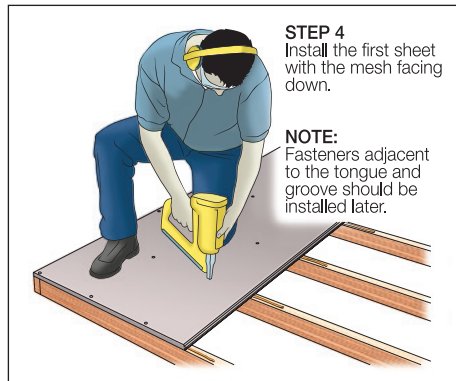


FIGURE 5 FIXING 1ST SHEET

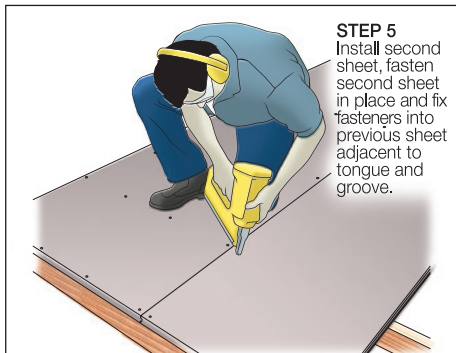


FIGURE 6 FIXING 2ND SHEET

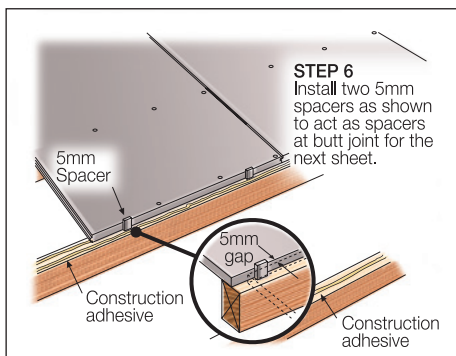


FIGURE 7 CREATING 5MM SHEET JOINT

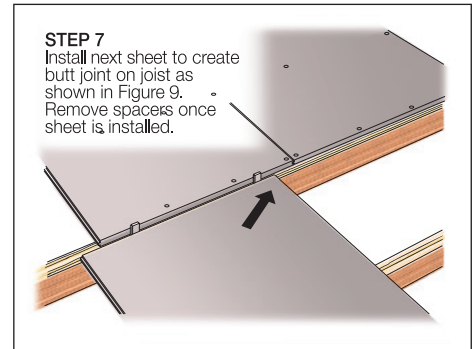


FIGURE 8 INSTALLING 3RD SHEET

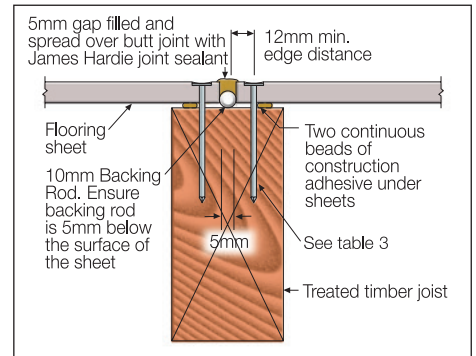


FIGURE 9 BUTT JOINT

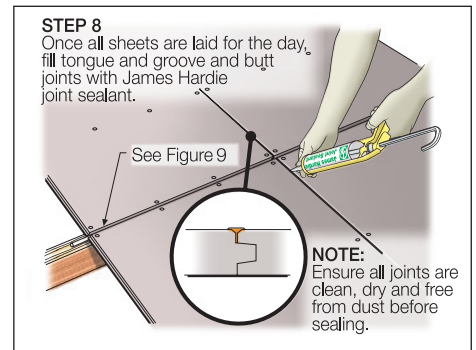


FIGURE 10 SEALING ALL JOINTS

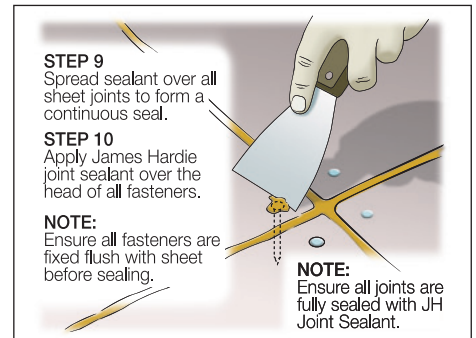


FIGURE 11 SEAL OVER FASTENERS AND JOINTS

NOTE: Avoid excessive foot traffic on the deck for at least 24 hours to allow sealant to set and dry out. Adverse weather conditions may increase this period to 48-72 hours. Once sealant has fully dried, the sheets should be protected from damage and the likelihood of excessive water until the final finishes are applied.

COMPONENT 2: Waterproofing and Finishes (Supplied by third party)

Component 2 is a third party supplied and warranted waterproofing and tiling system which is installed over the installed Scyon™ Secura™ Exterior flooring.

The two types of decks discussed in this section include:

1. A water resistant deck
2. Waterproof decks:
 - a) **OPTION 1:** Liquid membrane method
 - b) **OPTION 2:** Flexible sheet membrane/mortar method

NOTE: This section DOES NOT contain all information relevant for waterproofing and is to be used as a guide only. It is the responsibility of the specifier to carry out the necessary design and detailing to ensure the waterproofing and finish satisfy all relevant codes, regulations and system waterproofing manufacturer recommendations.

WATER RESISTANT DECKS

It is recommended that the deck be made as water tight as possible (i.e that water penetration be minimised) as it can lead to damage such as timber dry rot or building damage. This includes all sheet joints, junctions and fasteners.

During the installation of the Scyon™ Secura™ Exterior flooring sheets, the factory applied sealer is subject to damage from tools, material and traffic. It is therefore recommended, that a single priming coat of Ardex WPM 300 or equivalent is applied with a roller over water resistant decks before tiles are installed.

When tiling direct to sheets with no mortar bed, the 5mm butt joints between all adjacent sheets act as control joints. These control joints must be carried up through the tiled finish, see Figure 13.

WATERPROOF DECKS

System selection

To achieve a, warranted, fully waterproof deck, requires a compatible and correctly installed third party waterproofing system on top of the Scyon™ Secura™ Exterior flooring.

At the time of writing, the following third party waterproofing companies have warranted and tested waterproofing systems and technical specifications for use over Scyon™ Secura™ Exterior flooring.

- Ardex Australia Pty Ltd
- Bostik Australia Pty Ltd
- Crommelin
- Drizoro® Waterproofing
- ParexDavco Australia

OPTION 1: Waterproof System - Liquid Membrane Method and tile direct

This method relies on a suitable liquid applied membrane being installed on top of the sheets and tiling direct. Installation of the selected membrane system and its components must be by a licensed accredited applicator able to offer a waterproofing guarantee for tiling direct.

Squared Sheet Layout: Tiled Direct

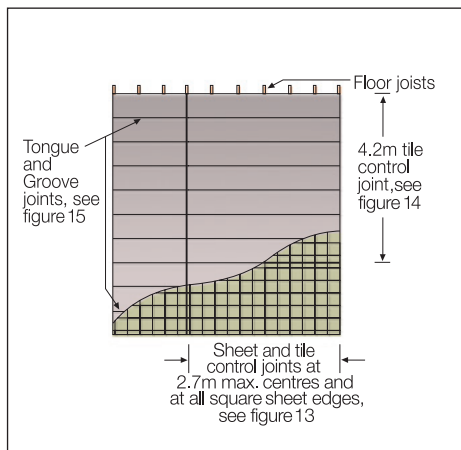


FIGURE 12 SQUARED SHEET LAYOUT

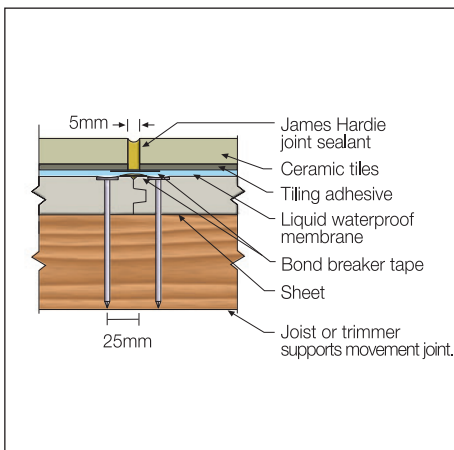


FIGURE 14 DIRECT TILE - TILE MOVEMENT JOINTS OVER TONGUE AND GROOVE JOINT

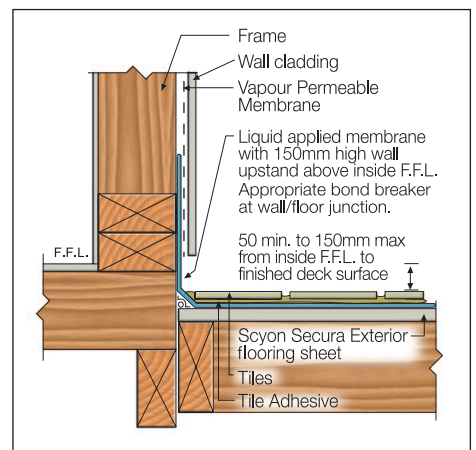


FIGURE 16 METHOD 1: WALL TO DECK FLASHING

NOTES ON FIGURE 12

- All sheet control joints must carry up through the tiles, see Figure 13.
- If additional tile control joints are required, these should coincide with sheet edges. See Figures 13 and 14. Refer to relevant tile codes for recommended tile control joint spacing.

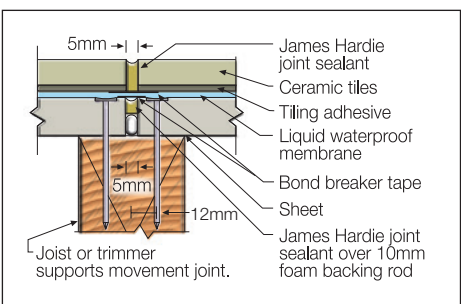


FIGURE 13 DIRECT TILE - TILE MOVEMENT JOINT OVER SHEET MOVEMENT JOINT

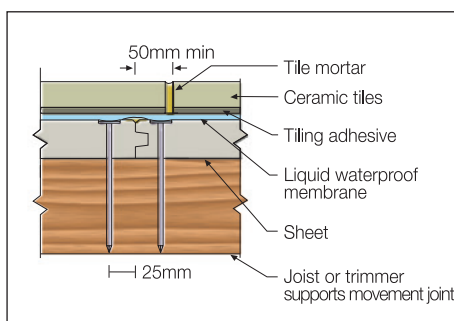


FIGURE 15 DIRECT TILE - TONGUE AND GROOVE JOINTS

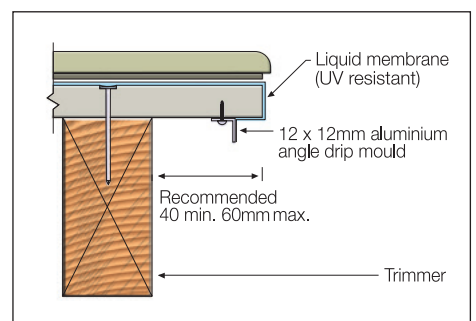


FIGURE 17 METHOD 1 DECK EDGE DETAIL USING DRIP ANGLE

OPTION 2: Waterproof System, Slip Sheet and reinforced mortar bed

This method relies on applying a waterproof system, dual layer of slip sheet, 40mm minimum reinforced mortar bed, additional waterproof system and tiles.

Staggered Sheet Layout: Mortar Bed

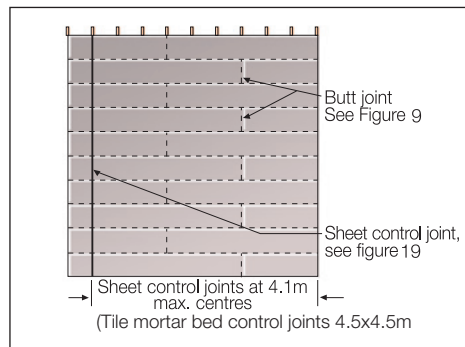


FIGURE 18 STAGGERED SHEET LAYOUT

NOTES ON FIGURE 18

- Control joints in floating mortar bed and tiling at maximum 4.5 x 4.5m. Sheet edges and movement joints do not need to coincide with mortar bed control joints.
- Tiling direct to a staggered sheet layout without a floating mortar bed is not recommended. Not following this advice will lead to an increased risk of tile cracking and system performance issues.

NOTE: To reduce efflorescence stains we suggest applying an additional waterproof membrane over the mortar bed and speaking with your concrete and tile grout supplier on reducing the risk of efflorescence.

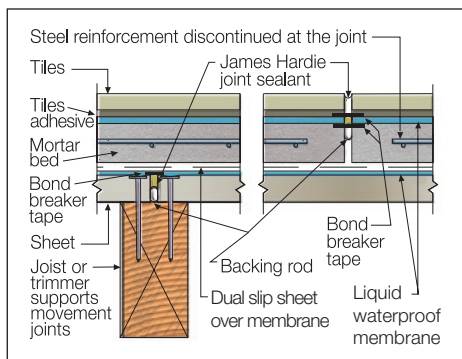


FIGURE 19 MORTAR BED - MOVEMENT DETAIL

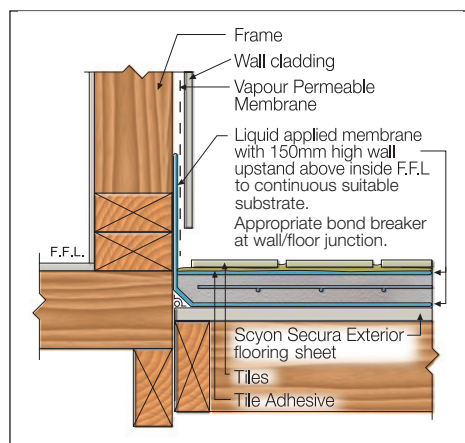


FIGURE 20 WALL TO DECK FLASHING

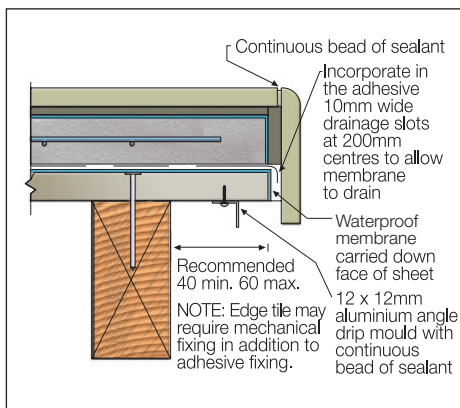


FIGURE 21 METHOD 2 - DECK EDGE DETAIL USING TILE

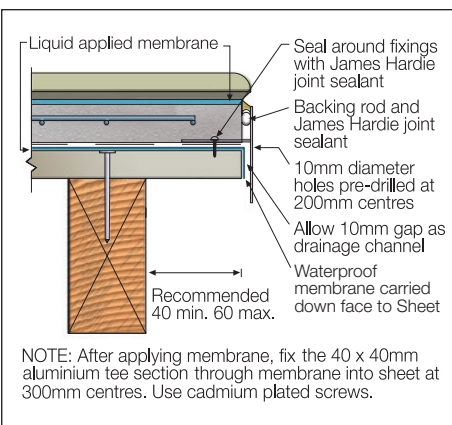


FIGURE 22 METHOD 2 - DECK EDGE DETAIL USING ALUMINIUM TEE SECTION

FINISHES

This section is to be read in conjunction with pages 4 and 5.

Only use recommended, warranted and tested water based waterproofing systems by companies outlined on page 4 suitable for use on Scyon™ Secura™ Exterior flooring sheets and complying with AS 4654.1.

Any damage to the surface coating must be repaired immediately to ensure that the deck maintains its integrity.

A warranted third party waterproof system and finish must be applied to the sheets within 3 months of installing the sheets. Keep sheets dry during this period.

Any waterproof membrane must be appropriately treated at both the joints, junctions and deck edge to maintain the integrity of the waterproofed deck.

Refer to the third party waterproofing companies on their waterproofing systems recommendations at sheet joints, junctions, deck edge to maintain the decks waterproofing integrity.

All waterproofing systems must be sufficiently flexible across sheet joints to accommodate differential thermal and moisture movement of all the covering materials. The waterproofing system must be installed by a licensed/accredited applicator who will provide a waterproofing guarantee.

All components of the deck must be fully compatible with one another.

For information on suitable waterproofing, tile adhesive and tiles including installation instructions and warranty, refer to a previously mentioned waterproof, tile adhesive and tile manufacturers on page 4 and AS 4654.2.

Tiling

Tiles should be applied with proprietary adhesive that conforms to ISO 13007.1 for Ceramic Tiles and Adhesives, installed in accordance with AS3958.1 and to tile and adhesive manufacturer recommendations. Use a flexible tile adhesive recommended for exposed exterior applications and compatible with all other materials.

When tiling direct to sheets with no mortar bed, the 5mm butt joints between all adjacent sheets act as control joints. These control joints must be carried up through the tiled finish, see Figure 13.

When tiling to a mortar bed, the sheet control joints do not need to align with mortar bed and tile control joints, see Figure 19.

It is recommended that tiles are laid from the control joint out. This will ensure that the cut tiles are located around the perimeter of the decking.

Ensure the tile adhesive used is suitable and compatible with adjoining surfaces for the intended application with Scyon™ Secura™ Exterior flooring and other components.

Refer to the waterproofing and tile manufacture and relevant tiling codes for maximum tile control joint spacing, product suitability and compatibility including grout, tile adhesive, tile and waterproofing warranty and maintenance requirements with Scyon™ Secura™ Exterior flooring.

Maintenance

Regular cleaning and maintenance of the finished surface, joints, junctions, seats, penetrations etc must be carried out at regular intervals. The finished surface must be kept free of organic matter.

Remove any solvent spills immediately with absorbent material.

Ensure adequate protection is provided to all exposed waterproofed areas.

NOTE: Any damage to the surface or waterproofing must be repaired immediately to ensure that the system maintains its integrity.

ADDITIONAL INFORMATION

The above brief notes do not cover all aspects of deck construction and tiling. Further advice must be sought from specialists in that area. The following publications are also recommended:

- CSIRO Notes of Science of Building NSB124.
- Australian Standard AS 3958.1 'Part 1 Guide to the Installation of Ceramic Tiles'.
- ISO 13007.1 for Ceramic tiles and adhesives
- BRANZ - 'Good Tiling Practice.'
- BRANZ - 'Waterproofing Decks' - Bulletin 472

PRODUCT INFORMATION

General

The basic composition of James Hardie™ building products is Portland cement, ground sand, cellulose fibre, water and proprietary additives.

James Hardie™ building products are manufactured AS/NZS 2908.2 'Cellulose-Cement Products-Flat Sheet'. These are also compliant with equivalent standard ISO 8336 'Fibre-cement flat sheets - Product specification and test methods'. For product classification refer to the relevant Physical Properties Data Sheet..

Product mass

Based on equilibrium moisture content the approximate mass of 19mm Scyon™ Secura™ Exterior flooring is 24.5kg/m² and 22mm Scyon™ Secura™ Exterior flooring is 28.4kg/m².

Durability

Resistance to moisture/rotting

Scyon™ Secura™ Exterior flooring has demonstrated resistance to permanent moisture induced deterioration (rotting) by passing the following tests in accordance with AS/NZS2908.2:

- Water permeability (Clause 8.2.2)
- Warm water (Clause 8.2.4)
- Heat rain (Clause 6.5)
- Soak dry (Clause 8.2.5)

Resistance to fire

James Hardie flooring products have been tested to AS/ISO 9239, and exceed the requirements stipulated in the Building Code of Australia - Specification C1.10a Fire Hazard Properties – Floors, Walls & Ceilings. All James Hardie flooring

products have a critical radiant flux values greater than the minimum requirement of 4.5 kW/m² (highest value in accordance with Table 1), and a smoke development rate well below the maximum allowable smoke development rate of 750 percentage-minutes.

Resistance to termite attack

Based on testing completed by CSIRO Division of Forest Products and Ensis Australia James Hardie building products have demonstrated resistance to termite attack.

SCYON™ SECURA™ EXTERIOR SHEET WARRANTY

Scyon™ Secura™ Exterior flooring sheets have a 10 year product warranty. For terms and conditions of product warranty, refer to www.scyon.com.au, www.accel.com.au or Ask James Hardie on 13 11 03.

© Copyright 2015 James Hardie Australia Pty Ltd. ABN 12 084 635 558. ™ and ® denotes a trademark or registered mark owned by James Hardie Technology Limited

Ask James Hardie™
Call 13 11 03
www.jameshardie.com.au



**For information and advice
call 13 11 03 | [jameshardie.com.au](https://www.jameshardie.com.au)**

Australia June 2020



© 2020 James Hardie Australia Pty Ltd ABN 12 084 635 558
™ and ® denote a trademark or registered mark owned by James Hardie Technology Limited.