

Bioguard Acoustic OP RH100

Armstrong[®]
CEILING SOLUTIONS

Benefits

- Specially developed for high humidity environments
- Anti-microbial performance provides protection against bio-contamination
- Clean Room performance
- Durable, Washable, Smooth surface
- High sound absorption (NRC 0.90) for reduced reverberation and quieter spaces
- High light reflective finish
- Sustainable – Green Star contribution

Application Areas












- Healthcare facilities including Hydrotherapy pools
- Clean Rooms & Laboratories, including PC1 and PC2 Certified Facilities
- Locker rooms, shower areas
- Indoor pools
- Parking garages
- Marine use
- Exterior Soffits

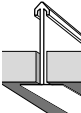
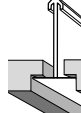
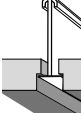


BIOGUARD ACOUSTIC OP RH100



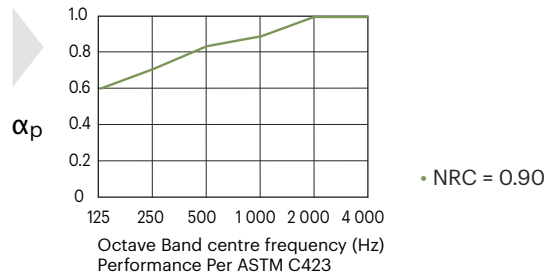
Bioguard Acoustic OP RH100

 ISO 3 Clean Room ISO 14644-1	 Washable & Scrubbable ASTM D-2486 (mod)	 Hygiene / Anti-microbial	 Resistance to Disinfectants	 Scratch Resistant	 Soil Resistant to DIN 18177	 RH100 Humidity Resistant	 Product Handling Durability	 Recycled Content EN ISO 14021 35%	 Light Reflectance 88%	 Acoustical Comfort
---	--	---	--	--	--	---	---	--	--	---

Panel Options	BOARD	TEGULAR 24/90	TEGULAR 15/90
	 24mm Tee Grid	 24mm Tee Grid	 15mm Tee Grid
600 x 600 x 19mm	1610G	1612G	1614G
1200 x 600 x 19mm	1611G	1613G	1615G

• Special items and other sizes available upon request. • Contact your local Armstrong Ceilings representative for stock availability.

-  NRC: 0.90
-  CAC 29
-  Sealed edge for clean room performance
Clean Room Classification: ISO 3
Suitable for PC1 and PC2 facilities
-  RH100% at 0°C - 49°C
-  Conforms with NCC Spec. C1.10 as tested to AS 5637.1:2015 - Group 1, and ISO 5660 - Group 1 - S
-  Thermal Insulation (R- Value)
0.48 m²K/W
-  5.2 kg/m²



Material
Wet-formed mineral fibre with durable acoustically transparent membrane.

Surface Finish
Factory-applied vinyl paint. Edges are paint sealed for improved clean room performance.

Anti-microbial Performance
Tested to EN ISO 846:1997 & ASTM G21 for resistance to fungi and bacteria.

- Achieves resistance to bacterial strains of *Bacillus subtilis*, *Escherichia coli*, *Staphylococcus epidermidis*, and *Saccharomyces cerevisiae*.
- Achieves resistance to fungus strains of *Aspergillus niger*, *Paecilomyces variotii*, *Glucocladium virens*, *Penicillium funiculosum* and *Chaetomium globosum*.

Backloading Recommendation
Contact your local Armstrong Ceilings representative

Suspension Systems
Contact your local Armstrong representative



Indoor Environmental Quality				Materials	
Credit 9/10 ACOUSTIC COMFORT	Credit 10.2A/11.2A LIGHTING COMFORT SURFACE ILLUMINANCE	Credit 11.1B/12.1B VISUAL COMFORT: DAYLIGHT	Credit 12/13 INDOOR POLLUTANTS	Credit 21C-D/21C-D SUSTAINABLE PRODUCTS - "Level A" Third Party Certification Environmental Product Declarations	Credit 22/22 CONSTRUCTION AND DEMOLITION WASTE
✓	✓	✓	✓	✓	✓

Contact us

Armstrong Ceiling Solutions (Australia) Pty. Ltd.

NSW / ACT (02) 9748 1588 VIC / TAS (03) 8706 4000 QLD / NT (07) 3809 5565



info@armstrongceilings.com.au
www.armstrongceilings.com.au