

MetalWorks Modular

Armstrong[®]
CEILING SOLUTIONS

Benefits

- Contemporary appearance
- Flexibility of rotating panels and fixtures by 90 degrees
- Simple accessibility to plenum space
- Custom sizes, finishes and perforation options available, including "chilled beam compatible" designs
- TOTAL ACOUSTICS™ Performance Options (NRC+CAC)
 - Excellent sound attenuation, improving room to room privacy
 - High sound absorption for reduced reverberation and quieter spaces
- Sustainable Contribution
 - Global GreenTag^{CERT™} GreenRate™ Level A Certified for Green Star™
 - GreenTag^{CERT™} Gold Health Product Rating for WELL™ Building Standard™

Application Areas

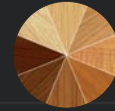
- Offices
- Conference Rooms
- Foyers
- Corridors
- Healthcare
- Retail
- Transport
- Education



Global White



Satin White



Wood Effects
available



Powdercoat
colours available

Note: Due to printing limitations, shades may vary from actual product.



METALWORKS MODULAR

MetalWorks Modular with Wood Effects (Commonwealth Bank Place, Darling Harbour, Sydney)

MetalWorks Modular



RH99
Humidity
Resistant



Scratch
Resistant



Product
Handling
Durability



Cleanable



Impact
Resistant



Recycled Content
EN ISO 14021



Light Reflectance



Acoustical
Comfort

Panel Details	Chilled Beam Compatible Perforation RV7051	Standard Perforation (M10) with SOUNDTEX Fleece	Micro perforation (M2) with SOUNDTEX Fleece
Open Area	50.3%	16%	19%
Hole Diameter	7mm	2.5mm	1.5mm
Perforation Design			
1200 x 300mm	PMSC120307M50SW	PMSC120306M10SW	PMSC120306M2SW
1200 x 400mm	PMSC120407M50SW	PMSC120406M10SW	PMSC120406M2SW
1350 x 450mm	PMSC13504507M50SW	PMSC13504507M10SW	PMSC13504507M2SW
1500 x 300mm	PMSC150307M50SW	PMSC150307M10SW	PMSC150307M2SW
1500 x 375mm	PMSC1503757M50SW	PMSC1503757M10SW	PMSC1503757M2SW
1500 x 500mm	PMSC150507M50SW	PMSC150507M10SW	PMSC150507M2SW

* 83% LR value for Plain Non Perforated with Satin White finish (equiv. LR to RAL9016)
Other sizes available upon request. Contact your local Armstrong Ceilings representative for stock availability



NRC up to 0.75 with Acoustical Fleece
NRC up to 0.90 with Acoustical Infill



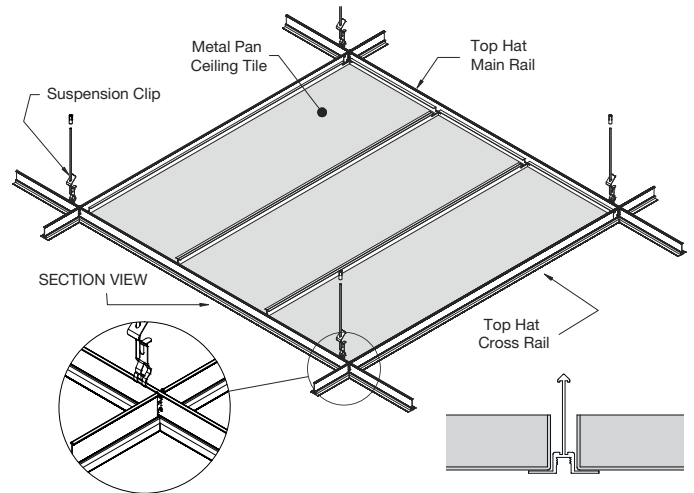
CAC up to 18dB with Acoustical Fleece
CAC up to 38dB with "B15" Mineral Acoustical Infill
CAC up to 40dB with "B19" Mineral Acoustical Infill



Conforms with NCC Spec. C1.10 as tested to AS
5637.1:2015 – Group 1, and ISO 5660 – Group 1 – S



5.2 kg/m²



Material
Panels: Galvanised Mild Steel
Suspension System: Extruded Aluminium

Surface Finish
Powdercoated in Satin White (MA124A).
Other colours, including Wood Effects
available upon request

Backloading Recommendation
Contact your local
Armstrong Ceilings
representative

Suspension Systems
ARMSTRONG BLUE TONGUE®
Aluminium Top Hat Modular

Green Star™: Potential contribution Interiors v1.1 / Design & As Built v1.2

Indoor Environmental Quality				Materials	
Credit 9/10 ACOUSTIC COMFORT	Credit 10.2A/11.2A LIGHTING COMFORT SURFACE ILLUMINANCE	Credit 11.1B/12.1B VISUAL COMFORT: DAYLIGHT	Credit 12/13 INDOOR POLLUTANTS	Credit 21D/21D SUSTAINABLE PRODUCTS – "Level A" Third Party Certification	Credit 22/22 CONSTRUCTION AND DEMOLITION WASTE
✓	✓	✓	✓	✓	✓



Contact us

Armstrong Ceiling Solutions (Australia) Pty. Ltd.

NSW / ACT
(02) 9748 1588

VIC / TAS
(03) 8706 4000

QLD / NT
(07) 3809 5565



info@armstrongceilings.com.au

www.armstrongceilings.com.au