

# MetalWorks Mesh Lay In and Hook On

**Armstrong**<sup>®</sup>  
CEILING SOLUTIONS



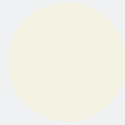
METALWORKS MESH

# Mesh by Design

Contemporary, Sophisticated and Industrial designs are easily achieved with MetalWorks Mesh. Select from Lay In or Hook On ceiling panel options and bring your floating cloud or full ceiling design concept to life.

## MetalWorks Mesh Colours

Image shown: 900 Ann Street, Brisbane  
Image on Front cover: QUT in Brisbane



Global White



Silver Grey



Black



Custom colours  
available upon  
request



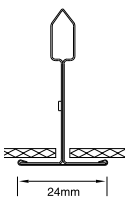
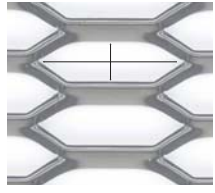
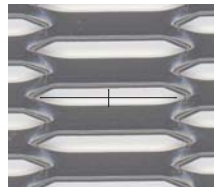
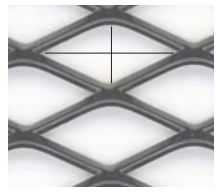
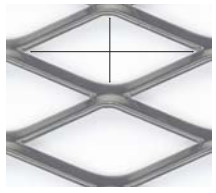
# Exposed Grid Solutions



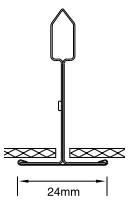
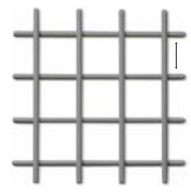
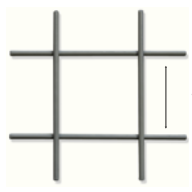
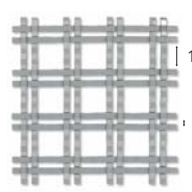
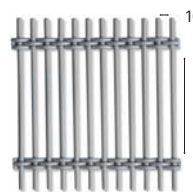
Project: NAB Bank Victoria, METALWORKS Mesh Hexagon 3

## MetalWorks Mesh Lay In

### Expanded Mesh

Grid / panel	Hexagon 1	Hexagon 3	Rhombic 4	Rhombic 7
	 7.2mm x 26.4mm	 3.75mm x 26.4mm	 11mm x 25.9mm	 12.6mm x 30.5mm
	BP5316M6A1_* - 600x600mm BP5319M6A1_* - 1200x600mm Open Area 74% Weight 5.0kg/m <sup>2</sup>	BP5332M6A1_* - 600x600mm BP5321M6A1_* - 1200x600mm Open Area 80% Weight 7.1kg/m <sup>2</sup>	BP5336M6A1_* - 600x600mm BP5325M6A1_* - 1200x600mm Open Area 78% Weight 4.2kg/m <sup>2</sup>	BP5333M6A1_* - 600x600mm BP5331M6A1_* - 1200x600mm Open Area 84% Weight 4.2kg/m <sup>2</sup>

### Welded and Woven Mesh

Grid / panel	Welded - Small Square	Welded - Big Square	Woven - Square Wire	Woven - Linear Wire
	 25.6mm	 59.4mm	 19.5mm 6.4mm	 10mm 19.5mm
	MMWE1CS_* - 600x600mm MMWE1CM_* - 1200x600mm Open Area 78% Weight 4.3kg/m <sup>2</sup>	MMWE2CS_* - 600x600mm MMWE2CM_* - 1200x600mm Open Area 88% Weight 2.3kg/m <sup>2</sup>	MMWOFNS_* - 600x600mm Open Area 53% Weight 4.0kg/m <sup>2</sup>	MMWOTNS_* - 600x600mm MMWOTNM_* - 1200x600mm Open Area 62% Weight 6.5kg/m <sup>2</sup>

**Notes:**  
 \* When specifying or ordering, include the appropriate 2-letter colour suffix with the item number (e.g., BP5316M6A1WH) WH = White, SG = Silver, BL = Black  
 Some items are available based on a minimum order quantity. Other sizes available upon request. Contact your Armstrong Representative for more information.

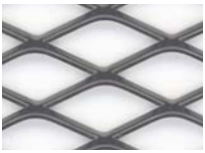
# Concealed Grid Solutions



Above Project: Stanley Black & Decker: Warsaw, Poland

## MetalWorks Mesh R-H200 and R-H215 Hook On

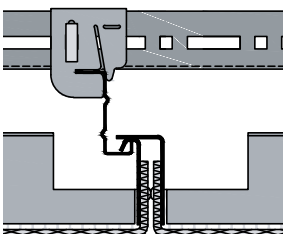
### Expanded Mesh

Edge Detail	Panel Size	Hexagon 1	Hexagon 3	Rhombic 4	Rhombic 7
					
<b>RH-200</b>	600x600 1200x300 1200x600	MEH1R001_* MEH1R002_* MEH1R003_*	MEH3R001_* MEH3R002_* MEH3R003_*	MER4R001_* MER4R002_* MER4R003_*	MER7R001_* MER7R002_* MER7R003_*
<b>RH-215</b>	600x600 1200x300 1200x600	MEH1R151_* MEH1R152_* MEH1R153_*	MEH3R151_* MEH3R152_* MEH3R153_*	MER4R151_* MER4R152_* MER4R153_*	MER7R151_* MER7R152_* MER7R153_*

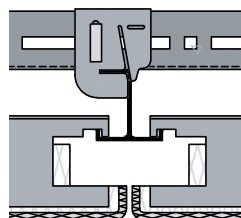
#### Notes:

\* When specifying or ordering, include the appropriate 2-letter colour suffix with the item number (e.g., MER4R003WH) WH = White, SG = Silver, BL = Black  
Some items are available based on a minimum order quantity. Other sizes available upon request. Contact your Armstrong Representative for more information.

R-H200 Mesh



R-H215 Mesh



R-H200 and R-H215 Hook On Mesh are downward demountable, concealed grid systems that provide a monolithic visual.

A minimum ceiling height of 2700mm is recommended for Mesh Hook On Systems.

Contact your Armstrong Technical Representative to determine the best Hook On Mesh System for your project.



Image: Australia Post, Melbourne

## Specification



Humidity Resistance RH99%



Conforms with NCC Spec. C1.10 as tested to AS 5637.1:2015 – Group 1, and ISO 5660 – Group 1 – S

<b>Lay In Mesh</b>	Armstrong METALWORKS® Mesh “Lay In” Ceiling Panels for Exposed 24mm Grid System (either Prelude XL steel or Blue Tongue Aluminium). Colour to match panel or specification.
<b>Hook On Mesh</b>	Armstrong METALWORKS® Mesh “RH-200 or RH-215 Hook-On” Ceiling Panels for Concealed Grid, consisting of U-Profile Primary Channels with either J-Bar or H-Bar Support Rails.
<b>Material:</b>	Galvanised Steel
<b>Surface Finish:</b>	Powdercoated Satin White or Black, with custom colours available
<b>Module Sizes:</b>	As per specification
<b>System Weight:</b>	Varies based on pattern and module. See also Mesh panel weights on page 3
<b>Service Integration:</b>	Refer to Installation Guide
<b>Acoustic Infill:</b>	As per specification

## Application Areas

METALWORKS MESH Ceilings are versatile and can be applied in a broad range of applications

- Hospitality
- Offices
- Foyers
- Retail
- Transport
- Education



## Benefits

- Contemporary design aesthetic
- Available in Lay In for 24mm exposed Tee Grid and Hook On Concealed Grid options
- Simple accessibility
- Wide range of designs, sizes, colours
- Custom solutions available
- Durable: Impact resistant

## Acoustical Infill Solutions Available

Combine stunning aesthetics with great acoustics via a range of optional infills. Please contact your local representative for further information.

# MetalWorks Mesh



Image: AJ & Co Lawyers, showcasing black mesh

## Contact us

### NSW/ACT

Armstrong Ceiling Solutions (Australia) Pty. Ltd.  
Unit 4, 1 Basalt Road, Pemulwuy NSW 2145  
Telephone (02) 9748 1588

### VIC/TAS

Armstrong Ceiling Solutions (Australia) Pty. Ltd.  
Unit 1, 88 Henderson Road, Rowville VIC 3178  
Telephone (03) 8706 4000

### QLD / NT

Armstrong Ceiling Solutions (Australia) Pty. Ltd.  
6 Barrinia Street, Slacks Creek QLD 4127  
Telephone (07) 3809 5565

### SA

Total Building Systems Pty. Ltd.  
160 Grand Junction Road, Blair Athol SA 5084  
Telephone (08) 7325 7555

### WA

Ceiling Manufacturers of Australia Pty. Ltd.  
3 Irvine Street, Bayswater WA 6053  
Telephone (08) 9271 0777

### New Zealand

Forman Building Systems Ltd.  
27B Smales Road, East Tamaki, Auckland 2013  
Telephone 64-9-276 4000

**Armstrong**<sup>®</sup>  
CEILING SOLUTIONS