

Metalworks R-H200 Hook On

Armstrong[®]
CEILING SOLUTIONS

METALWORKS RH200



Metalworks R-H200 Hook On

Sophisticated and simple. Armstrong MetalWorks R-H200 is the most versatile custom metal ceiling system, perfect for a wide range of commercial applications.

Indoor Environmental Quality				Materials	
Credit 9 / 10 ACOUSTIC COMFORT	Credit 10.2A / 11.2A LIGHTING COMFORT SURFACE ILLUMINANCE	Credit 11.1B / 12.1B VISUAL COMFORT: DAYLIGHT	Credit 12 / 13 INDOOR POLLUTANTS	Credit 21D / 21D SUSTAINABLE PRODUCTS - "Level A" Third Party Certification	Credit 22 / 22 CONSTRUCTION AND DEMOLITION WASTE
✓	✓	✓	✓	✓	✓

Benefits

- Concealed grid for a clean visual
- Simple access to plenum
- Standard or custom module sizes, including curved, radiating and "large panel" solutions
- Wide range of perforation patterns and colours
- Simple & cost effective installation
- Acoustic options available
- Flexible service integration
- Available with Mesh panel options for a contemporary look
- TOTAL ACOUSTICS® Performance Options (NRC+CAC)
- Sustainable Contribution for Green Star™ and WELL Building Standard™

Typical Applications

- Ideal for large open plan / circulation areas
- Airports / Bus / Train Stations
- Restaurants
- Office spaces
- Atrium, Lobby / Reception Areas
- Education – Lecture theatres and libraries



Contact your Armstrong Ceilings Representative for details on how MetalWorks R-H200 will contribute to Green Star™ and WELL Building Standard™



RH99
Humidity
Resistant



Scratch
Resistant



Product
Handling
Durability



Cleanable



Recycled Content
EN ISO 14021




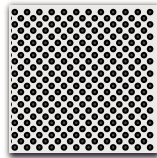
Light Reflectance



Acoustical
Comfort



Physical data and Performance

Panel Details	M1 Plain Non Perforated	M10 Perforated with ACOUSTICAL Fleece	M2 Micro Perforated with ACOUSTICAL Fleece
Open Area (%)	-	16	19
Hole Dia (mm)	-	2.5	1.5
Light Reflectance (%)	85	70	65
NRC	0.10	0.75	0.70
CAC (dB)	44	18	16
Design /Finish: Powdercoated in Satin White (MA124A)			
Dimensions (mm)	Item Numbers	Item Numbers	Item Number
1200x400	RJ124M1WH	RJ124M10WH	RJ124M2WH
1200x600	RJ126M1WH	RJ126M10WH	RJ126M2WH
1350x450	RJ135M1WH	RJ135M10WH	RJ135M2WH
1500x300	RJ153M1WH	RJ153M10WH	RJ153M2WH
1500x500	RJ155M1WH	RJ155M10WH	RJ155M2WH



Conforms with NCC Spec. C1.10 as tested to AS 5637.1:2015 – Group 1, and ISO 5660 – Group 1 – S

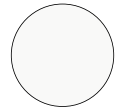
Mesh Panel options now available



Humidity Resistance RH99%

Contact your local Armstrong Ceilings representative for stock availability

- Specification:** Armstrong MetalWorks® R-H200 Hook-On Ceiling System with concealed U-Profile Channel and J-Bar Suspension Grid.
- Panel Material:** Galvanised steel sheet (aluminium on request) or Mesh (see Mesh brochure for design options).
- Surface Finish:** Powdercoated Satin White (MA124A). Custom colours and Wood Effects available.
- Perforation Patterns:** As above. Other patterns on request or refer to Perforation Catalogue on website.
- Edge Detail:** Square Edge.
- Panel Junction:** 3mm black gasket on one long and one short side.
- Acoustic Inlay:** Black non-woven acoustic fleece as standard. Other options available on request including B15 or B19 Mineral Infill with NRC up to 0.70 and CAC up to 40dB.
- Typical Module Sizes:** Module Sizes: As above. Other sizes on request up to Max. length 3000mm and Max. width 1200mm (stiffeners may be required).
- System Weight:** 8.07kgs/m².
- Perimeter Solutions:** Range of standard Axiom aluminium wall angles, trims, pelmets plus custom bulkheads and fully integrated drywall solutions available.
- Service Integration:** Panels can be supplied with factory produced cut outs and apertures for the integration of building services equipment.
- Special Capabilities:** Various custom solutions on request, including radial and curved panels.



Satin White (WH)



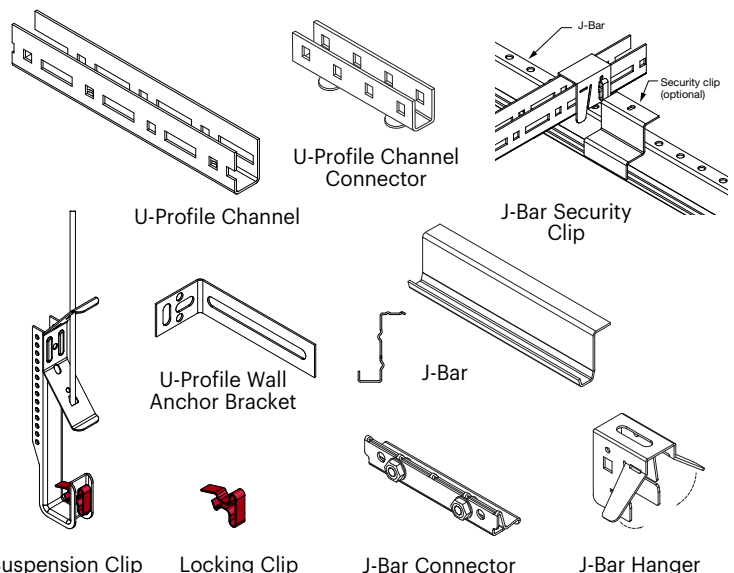
Custom colours available



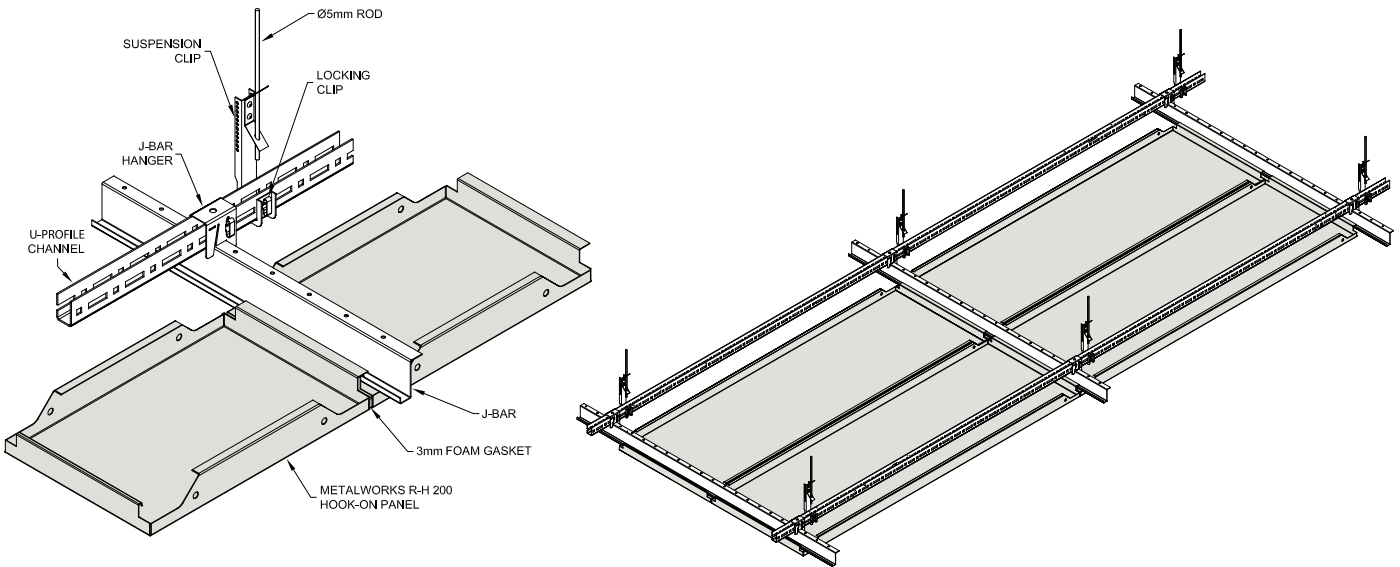
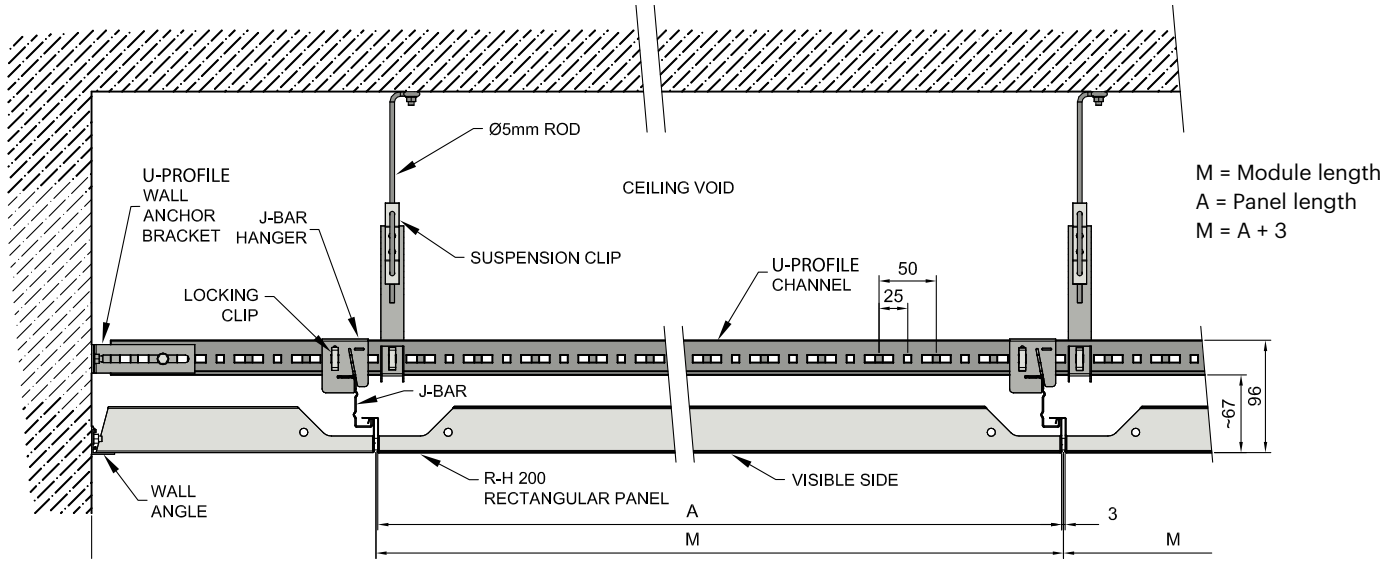
Wood Effects available

Suspension System and Accessories

Item Number	Description
UNI111B	U-Profile Channel (3750mm)
UNI103B	U-Profile Channel Connector
IND300026	J-Bar for RH200 (4000mm)
UNI101	J-Bar Hanger
BPM300343	J-Bar Connector
UNI203B	Suspension Clip for 5mm Rod
UNITRCB	Suspension Clip for M6 Threaded Rod
ROD 5mm	5mm Suspension Rod
UNI200	Locking Clip
IND330056	J-Bar Security Clip
AL008RCPSW	Std "L" Wall Angle
AL009RCPSW	Shadowline Wall Angle
UNI202	U-Profile Wall Anchor Bracket



Installation Detail



Contact us

Armstrong Ceiling Solutions (Australia) Pty. Ltd.

NSW / ACT
(02) 9748 1588

VIC / TAS
(03) 8706 4000

QLD / NT
(07) 3809 5565

Armstrong[®]
CEILING SOLUTIONS