

# Metalworks R-H215 Hook On

**Armstrong**<sup>®</sup>  
CEILING SOLUTIONS



METALWORKS RH215

# Metalworks R-H215 Hook On

Visually elegant, sophisticated and yet simple. MetalWorks R-H215 is the ultimate concealed grid ceiling system for a wide range of commercial applications.

Green Star™: Potential contribution Interiors v1.1 / Design & As Built v1.2					
Indoor Environmental Quality				Materials	
Credit 9/10 ACOUSTIC COMFORT	Credit 10.2A/11.2A LIGHTING COMFORT SURFACE ILLUMINANCE	Credit 11.1B/ 12.1B VISUAL COMFORT: DAYLIGHT	Credit 12/ 13 INDOOR POLLUTANTS	Credit 21D/ 21D SUSTAINABLE PRODUCTS - "Level A" Third Party Certification	Credit 22 / 22 CONSTRUCTION AND DEMOLITION WASTE
✓	✓	✓	✓	✓	✓

## Benefits

- Concealed grid for a clean visual
- Simple access to plenum
- Standard or custom module sizes
- Wide range of perforation patterns and colours
- Simple & cost effective installation
- Flexible service integration
- Available with Mesh panel options for a contemporary look
- TOTAL ACOUSTICS® Performance Options (NRC+CAC)
- Sustainable Contribution for Green Star™ and WELL Building Standard™

## Typical Applications

- Ideal for large open plan / circulation areas
- Airports / Bus / Train Stations
- Restaurants
- Office spaces
- Atrium, Lobby / Reception Areas
- Education – Lecture theatres and libraries



Contact your Armstrong Ceilings Representative for details on how MetalWorks R-H215 will contribute to Green Star™ and WELL Building Standard™



RH99  
Humidity  
Resistant



Scratch  
Resistant



Product  
Handling  
Durability



Cleanable



Recycled Content  
EN ISO 14021




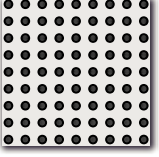
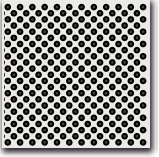
Light Reflectance



Acoustical  
Comfort



# Physical data and Performance

Panel Details	Unperforated	Standard Perforation with ACOUSTICAL Fleece	Micro Perforation with ACOUSTICAL Fleece
Open Area (%)	-	16	22
Hole Dia (mm)	-	2.5	1.5
Light Reflectance (%)	85	70	65
Design /Finish: Powdercoated in Satin White (MA124A)			
Dimensions (mm)	Item Numbers	Item Numbers	Item Number
1200x400	RH124M1WH	RH124M1OWH	RH124M2WH
1200x600	RH126M1WH	RH126M1OWH	RH126M2WH
1350x450	RH135M1WH	RH135M1OWH	RH135M2WH
1500x300	RH153M1WH	RH153M1OWH	RH153M2WH
1500x500	RH155M1WH	RH155M1OWH	RH155M2WH



Conforms with NCC Spec. C1.10 as tested to AS 5637.1:2015 – Group 1, and ISO 5660 – Group 1 – S

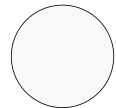
Mesh Panel options now available



Humidity Resistance RH99%

Contact your local Armstrong Ceilings representative for stock availability

- Specification:** Armstrong MetalWorks® R-H215 Hook-On Ceiling System with concealed U-Profile Channel and H-Bar Suspension Grid.
- Panel Material:** Galvanised steel sheet (aluminium on request) or Mesh (see Mesh brochure for design options).
- Surface Finish:** Powdercoated in Satin White (MA124A). Other colours, including Wood Effects available upon request.
- Perforation Patterns:** As above. Other patterns on request or refer to Perforation Catalogue on website.
- Edge Detail:** Short ends: R-H215 Hook On; Long sides: Square Edge.
- Panel Junction:** 3mm black gasket on one long and one short side.
- Acoustic Options:** NRC up to 0.75 with Acoustical Fleece; NRC up to 0.90 with Acoustical Infill; CAC up to 18dB with Acoustical Fleece; CAC up to 38dB with "B15" Mineral Acoustical Infill; CAC up to 40dB with "B19" Mineral Acoustical Infill
- Typical Module Sizes:** As above, Other sizes on request.
- System Weight:** 8.07kgs/m<sup>2</sup>.
- Perimeter Solutions:** Range of standard aluminium wall angles, trims, pelmets plus custom bulkheads and fully integrated drywall solutions available.
- Service Integration:** Panels can be supplied with factory produced cut outs and apertures for the integration of building services equipment.
- Special Capabilities:** Various custom solutions on request. Can be combined with other Armstrong products.



Satin White (WH)



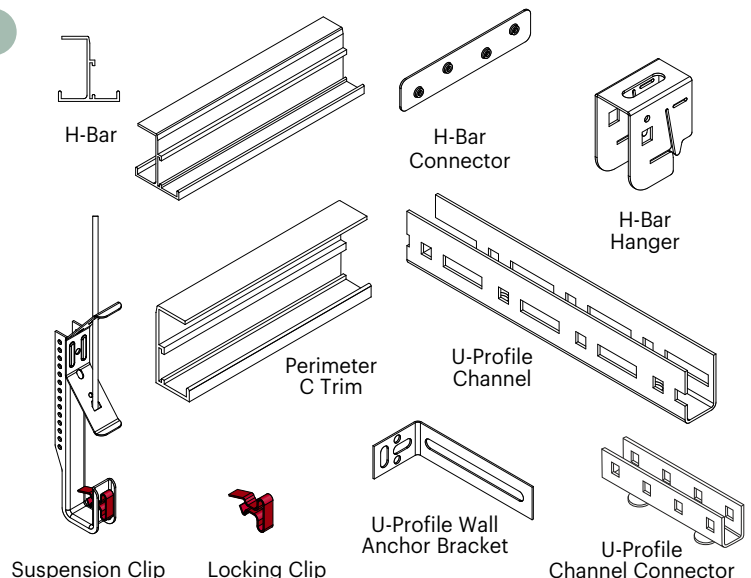
Custom colours available



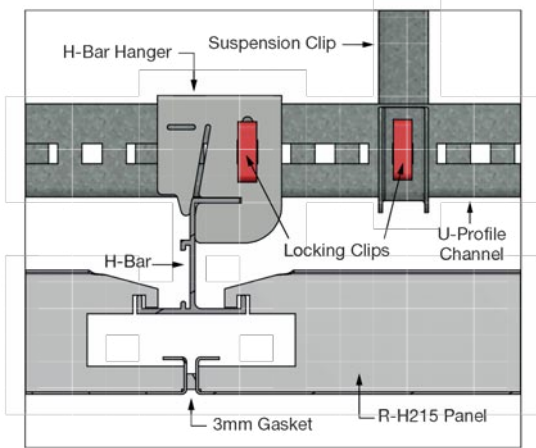
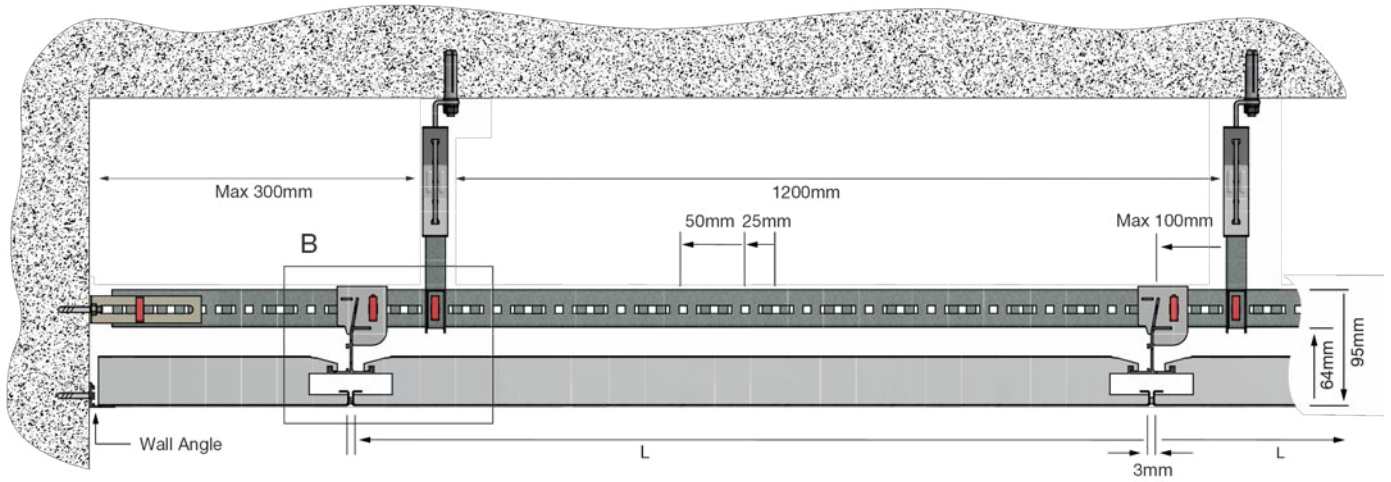
Wood Effects available

## Suspension System and Accessories

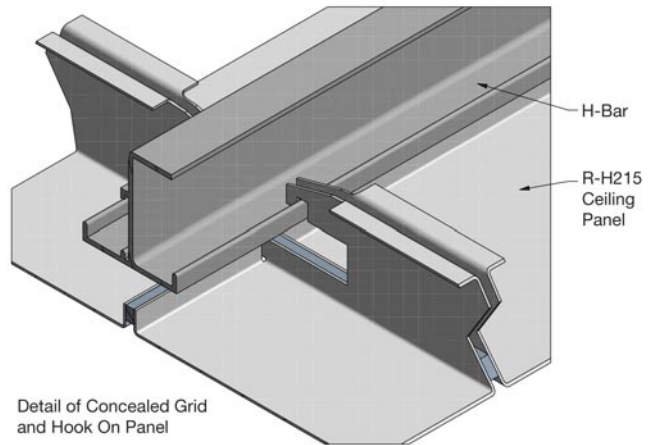
Item Number	Description
UNI111B	U-Profile Channel (3750mm)
UNI103B	U-Profile Channel Connector
UNI202	U-Profile Wall Anchor Bracket
HBAR3600	H-Bar for RH215 (3600mm)
UNI101	H-Bar Hanger
UNI112S	H-Bar Connector
UNI203B	Suspension Clip for 5mm Rod
UNITRCB	Suspension Clip for M6 Threaded Rod
ROD 5mm	5mm Suspension Rod
UNI200	Locking Clip
ALO08RCPSW	Std "L" Wall Angle
ALO09RCPSW	Shadowline Wall Angle
CBAR3600	Perimeter C Trim



# Installation Detail



Detail B



Detail of Concealed Grid and Hook On Panel

## Contact us

Armstrong Ceiling Solutions (Australia) Pty. Ltd.

**NSW / ACT**  
(02) 9748 1588

**VIC / TAS**  
(03) 8706 4000

**QLD / NT**  
(07) 3809 5565

