

## SoundScapes<sup>®</sup> Baffles Curves

**DO NOT REMOVE BAFFLES FROM THE CARTON UNTIL YOU HAVE READ THESE INSTRUCTIONS IN THEIR ENTIRETY.**

### 1. GENERAL

#### 1.1 Product Description

SOUNDSCAPES<sup>®</sup> Baffles Curves are vertical, acoustical Glass wool panels designed to be suspended either individually from aircraft cables or in a group configuration from PeakForm™ Prelude™ XL 24mm Suspension Grid.

#### 1.2 Materials and Finishes

SOUNDSCAPES Baffles Curves are made from Glass wool and finished on both sides with an acoustically transparent, durable painted scrim. Edges are factory painted to suit.

There are color options for the finished Baffles. Field painting will void the product warranty.

#### 1.3 Design Consideration for Sag

SOUNDSCAPES Baffles Curves might exhibit a natural bow that may be noticeable when installed 50mm or less apart, end to end. Deflection up to 4mm has been documented in some cases.

**NOTE: Do not butt Baffles end to end, but ensure a minimum gap of 50mm.**

**1.3.1 Precautionary Measures:** During the installation, be certain that the work site is well ventilated and avoid breathing dust. If high dust levels are anticipated during installation such as with the use of power tools, use an appropriate NIOSH designated dust respirator. Avoid contact with skin or eyes. Wear long-sleeve, loose fitting clothes, gloves, and eye protection.

**1.3.2 First Aid Measures:** If contact occurs flush eyes and skin irritation with plenty of water for at least 15 minutes and remove contaminated clothing. After installing material, wash with warm water and mild soap. Wash work clothes separately from other clothing. Rinse washer thoroughly. Refer to Armstrong Ceilings MSDS (which includes information on established occupational exposure limits) which are available from Armstrong Ceilings or your employer.

#### 1.4 Storage and Handling

The Baffles shall be stored in a dry interior location and shall remain in their original cartons prior to installation to avoid damage. The cartons shall be stored in a flat, horizontal position. **The Baffles should not be removed from the carton until the suspension system is installed.** Proper care should be taken when handling to avoid damage and soiling. White cotton or latex gloves are recommended for handling.

#### 1.5 Temperature During Installation

Baffles can be installed where the temperature is between 4°C and 30°C. Baffles cannot be used in exterior applications, where standing water is present, or where moisture will come in direct contact with the Baffles.

#### 1.6 Fire Performance

SOUNDSCAPES<sup>®</sup> Baffles Curves may obstruct or skew the existing or planned fire sprinkler water distribution pattern, or possibly delay the activation of the fire sprinkler or fire detection system. Designers and installers are advised to consult a fire protection engineer.

#### 1.7 Before You Start

All material delivered to site should be checked for damage, unopened and original packages.

All materials to be kept dry and protected from the elements.

#### 1.8 Determine Baffle Location & Direction

Soundscapes Baffles Curves to be suspended as per specification and drawings. The drawing supplied by the builder will show the Baffle direction required.

## 2. INSTALLATION

### 2.1 Suspension Systems

There are three types of suspension options for use with SOUNDSCAPES Baffles Curves. They can be suspended individually from the deck with aircraft cable, or in groups from either PeakForm™ Prelude™ XL 24mm Grid or Unigrig™ Suspension Channel.

### 2.2 General

Baffles cannot be used to support any other material.

Baffles may require two people to install and align.

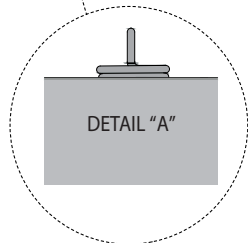
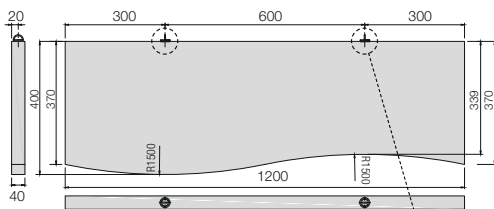
The suspension system chosen must be fastened to the structure in accordance with building code in your area.

SOUNDSCAPES Baffles Curves are factory fitted with embedded Spiral Anchor Clips along the top edge, for connection to either Aircraft Cable Suspension Hangers (for “single” installation) or to the Group Hanging Kit. See following illustrations.

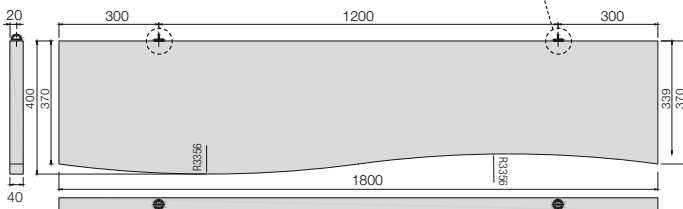
Here are the dimensions and locations of the spiral anchor clips:

#### Dimensions

Panel item CS5163WH: 1200 x 400 x 40mm



Panel item CS5164WH: 1800 x 400 x 40mm

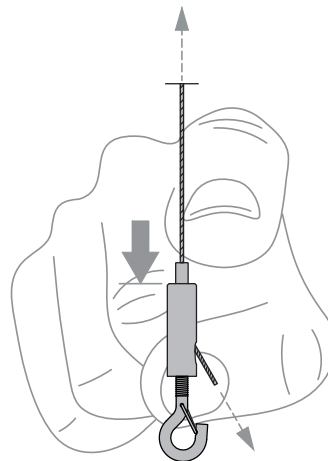
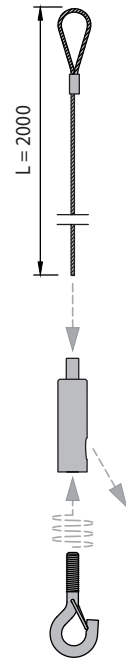
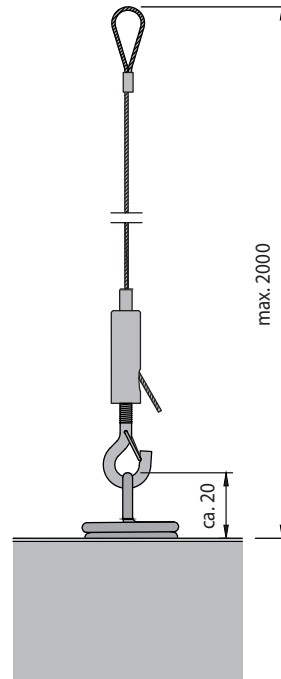


Hanging points are as per illustration above.

### 2.3 Single Baffle Suspension

Assembled Detail

BPCS5135A – 4 items/kit



#### IMPORTANT SAFETY AND QUALITY NOTE:

Do not allow any portion of wire or aircraft cable to drop below the top of a Baffle while adjusting final height. To do so could cause injury to the installer or scratch damage to the edge of the Baffle.

After the panel height is correct, cutoff excess cable leaving about 25mm remaining out the cable adjuster.

### 2.4 Baffle Hanging Kit – Independent Suspension

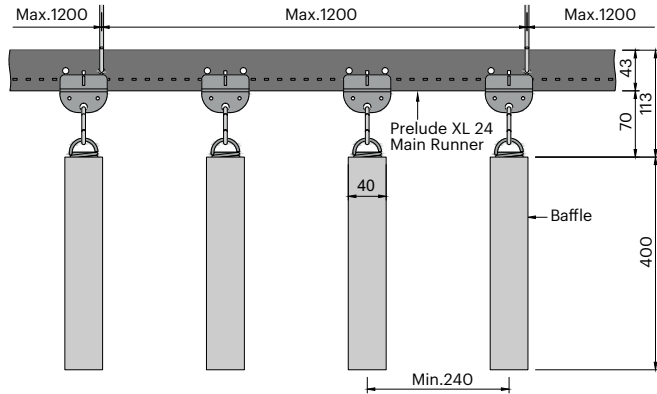
SOUNDSCAPES Baffles Curves can be independently suspended using Aircraft Cables and “quick release” justers (Hanging Kit BPCS5135A).

1. Determine the location to hang the Baffles.
2. Fasten appropriate anchor to the structure. You must have a hole to loop the Aircraft Cable through on the anchor.
3. For each suspension point – Insert an aircraft cable into the top of the Gripper Cable Adjuster.
4. Insert the Gripper Hook into the bottom of the Cable Adjuster.
5. Attach Gripper bottom end assembly to Spiral Anchor Clips.
6. Gently pull the cable through the Cable Adjuster until all the slack is removed
7. To release the cable, take all weight off the Adjuster, push the release mechanism, and simply slide the cable out as needed.
8. Level the Baffle and trim the Aircraft Cable at the desired length.

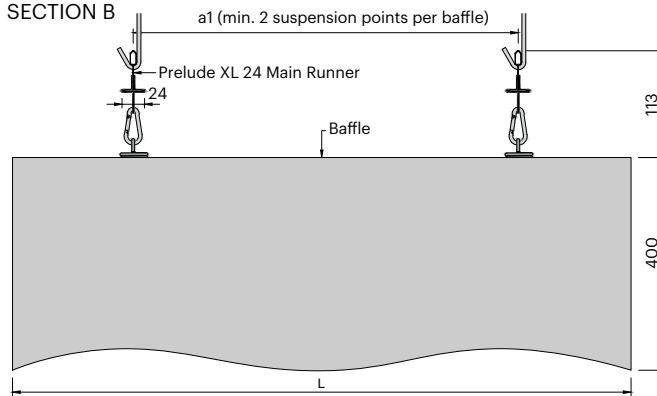
## 2.5 Group Baffle Installation – Option 1: Installed on PeakForm™ Prelude™ XL 24mm Main Runner

PeakForm™ Prelude™ XL Main Runners to be installed as per Typical Grid Layout Drawings as follows. Refer Installation Instructions for PeakForm grid as required.

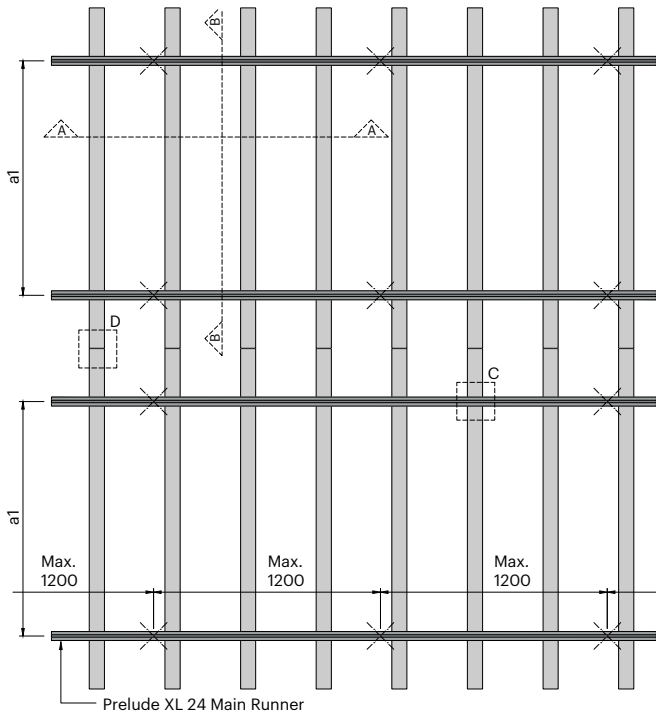
### SECTION A



### SECTION B



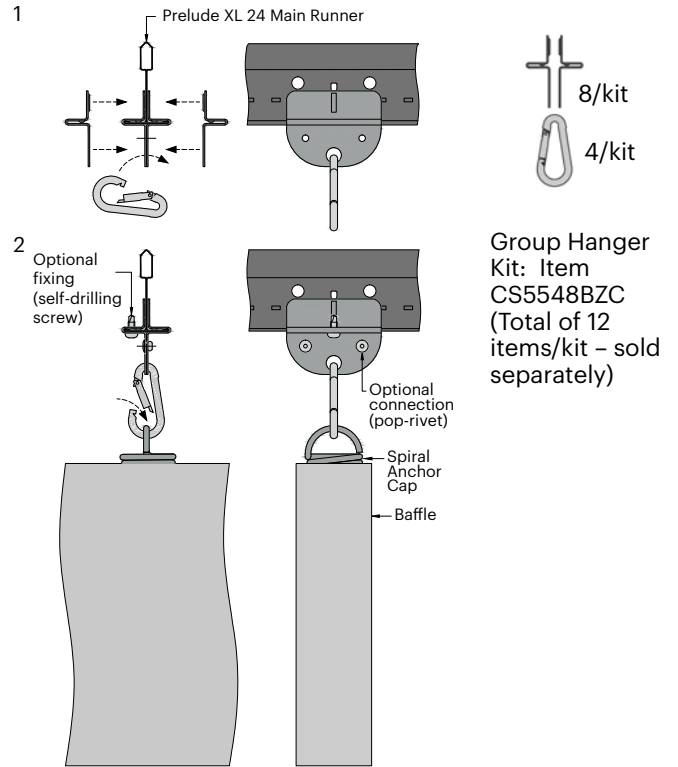
### TYPICAL GRID LAYOUT – For either Prelude XL Grid or Unigrid Channels



- a1 MAX DISTANCE BETWEEN PRELUDE XL MAIN RUNNERS / UNIGRID™ CHANNELS  
 = 600mm for Baffle item CS5163WH (with 2 suspension points)  
 = 1200mm for Baffle item CS5164WH (with 2 suspension points)
- L Baffle Length: 1200mm for Baffle item CS5163WH and 1800mm for Baffle item CS5164WH

## 2.6 Baffle Hanger Kit For Prelude Grid – Group Installation

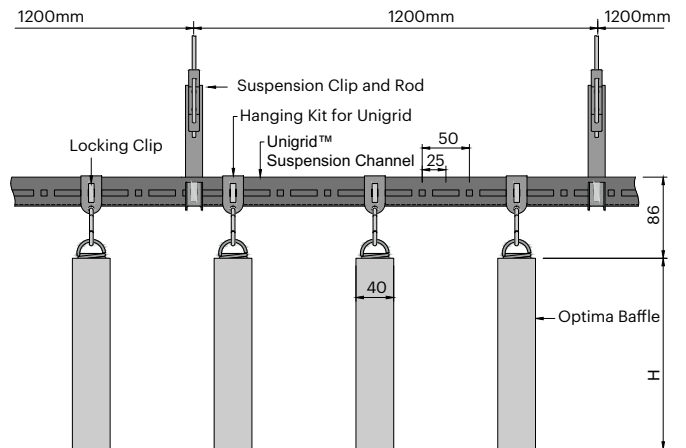
### DETAIL C HANGER KIT INSTALLATION



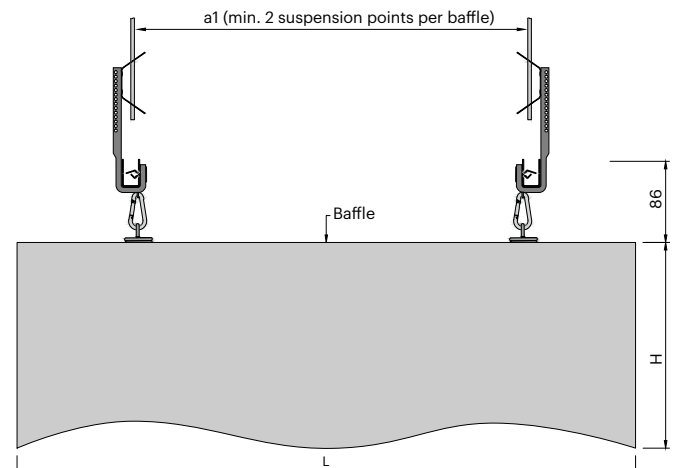
## 2.7 Group Baffle Installation – Option 2: Installed on Unigrid™ Suspension Channel

Unigrid™ Channels to be installed as per Typical Grid Layout Drawing. Refer Installation Instructions for Unigrid™ Suspension Channel as required.

### SECTION A WITH SUSPENSION OPTION 1

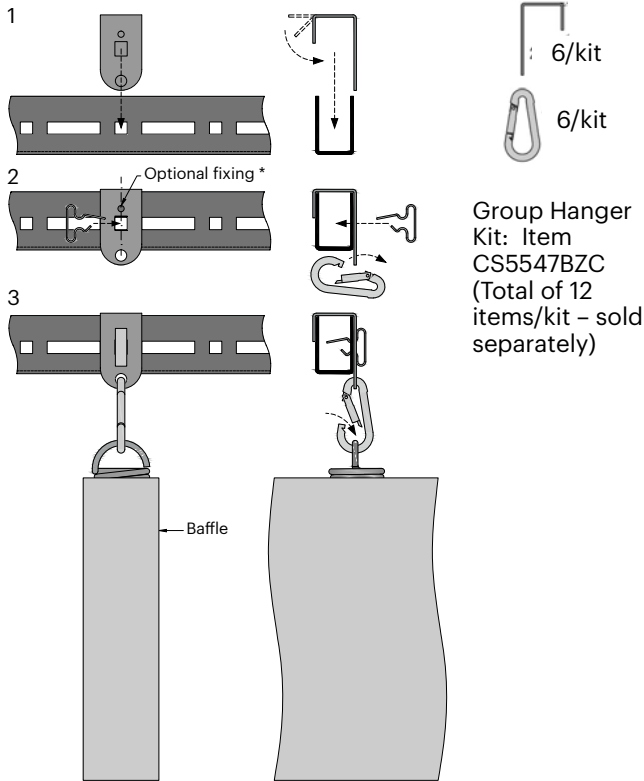


### SECTION B WITH SUSPENSION OPTION 2



## 2.8 Baffle Hanger Kit For Unigrig – Group Installation

### DETAIL C HANGER KIT INSTALLATION



\* If the pitch distance of the Baffles doesn't fit with the modulation of the U-Profile (steps of 25mm), the Plug-In Clip needs to be inserted into a long hole. The Hanger Position should be fixed by using a Pop-Rivet or Self-Drilling Screw

## 3. BAFFLE PENETRATIONS

The Baffle cannot be field cut for penetrations such as lighting or sprinklers.

## 4. CUTTING & FINISHING PANELS

It is not recommended to cut and refinish panels on site. Special sizes may be ordered to suit project requirements. If panels must be cut, follow points 1-3 below

1. Apply Bond Crete to seal the exposed cut ends of the Baffles and allow to dry
2. If required it may need a light sand with a fine sandpaper to remove any exposed fibres
3. Apply touch up paint to the newly cut and sealed Baffle ends

## 5. CLEANING

Use a clean, dry, soft white cloth to wipe off any dirt or finger prints. Regular light dusting of the top side of the Baffle is recommended.

## MORE INFORMATION

For complete technical information, detail drawings, CAD design assistance, installation information and many other technical services, call your local Armstrong Ceilings representative.

For the latest product selection and specification data, visit [armstrongceilings.com.au](http://armstrongceilings.com.au)

## Contact us

### NSW/ACT

Armstrong Ceiling Solutions (Australia) Pty. Ltd.  
Unit 4, 1 Basalt Road, Pemulwuy NSW 2145  
Telephone (02) 9748 1588

### VIC/TAS

Armstrong Ceiling Solutions (Australia) Pty. Ltd.  
Unit 1, 88 Henderson Road, Rowville VIC 3178  
Telephone (03) 8706 4000

### QLD / NT

Armstrong Ceiling Solutions (Australia) Pty. Ltd.  
6 Barrinia Street, Slacks Creek QLD 4127  
Telephone (07) 3809 5565

### SA

Total Building Systems Pty. Ltd.  
160 Grand Junction Road, Blair Athol SA 5084  
Telephone (08) 7325 7555

### WA

Ceiling Manufacturers of Australia Pty. Ltd.  
3 Irvine Street, Bayswater WA 6053  
Telephone (08) 9271 0777

### New Zealand

Forman Building Systems Ltd.  
27B Smales Road, East Tamaki, Auckland 2013  
Telephone 64-9-276 4000

**Armstrong**  
CEILING SOLUTIONS